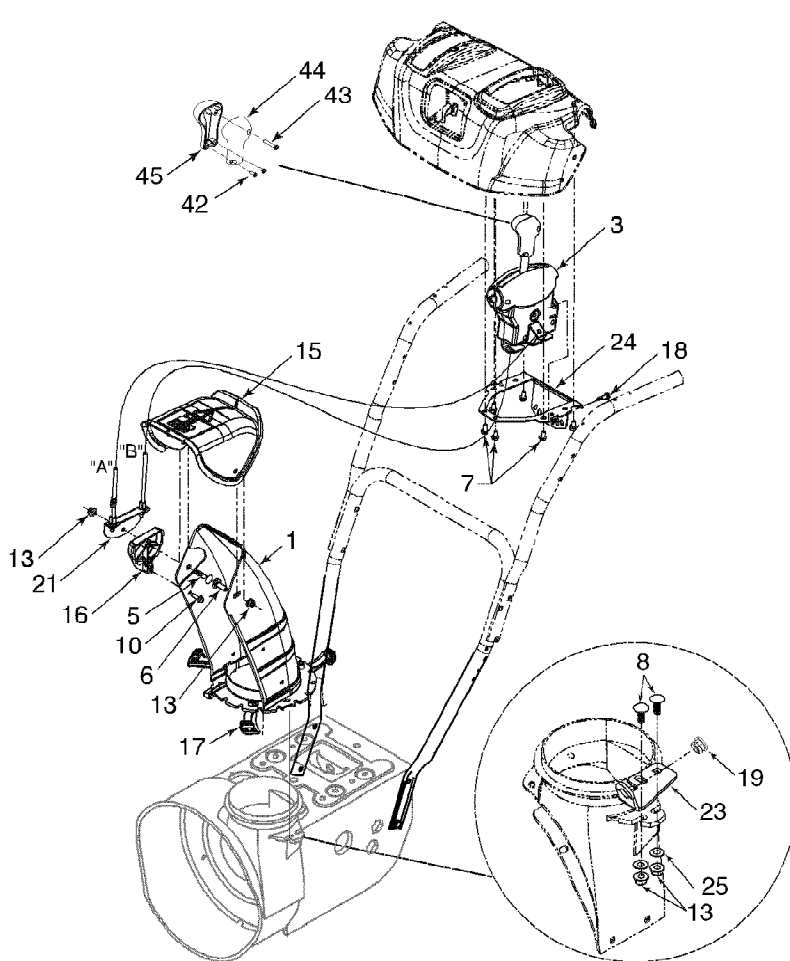
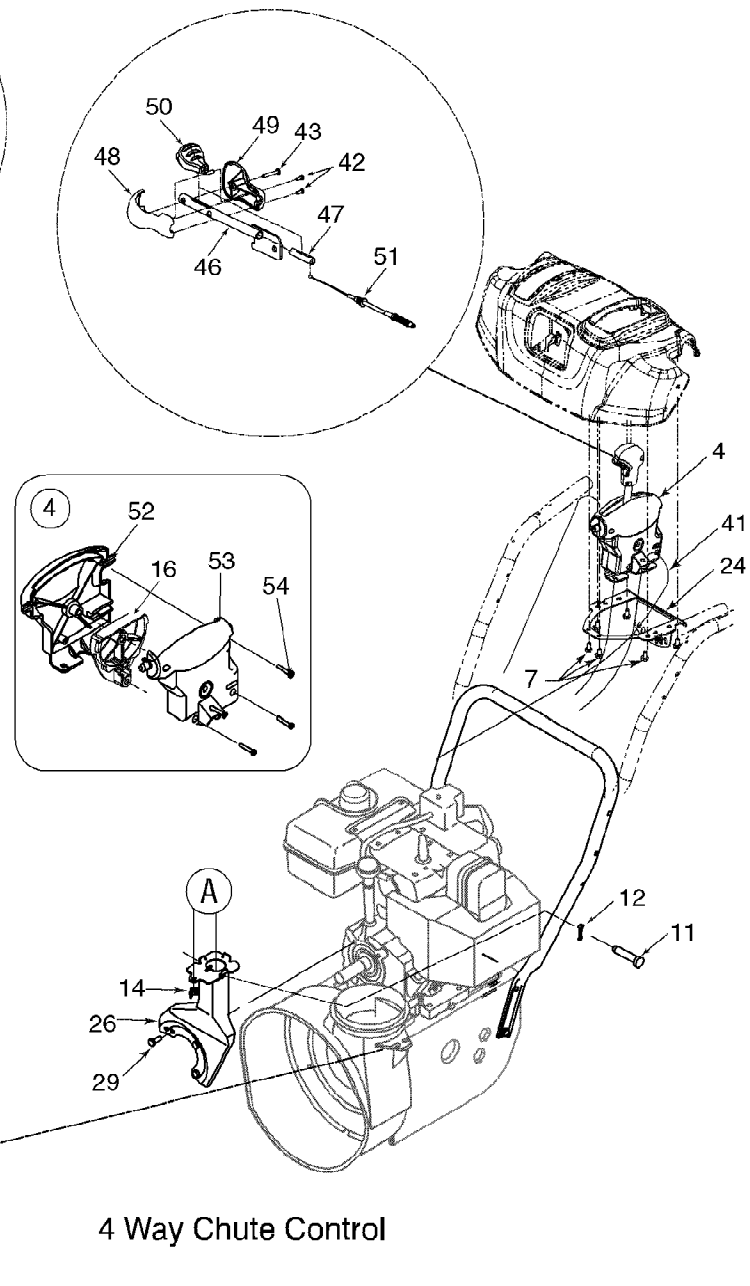
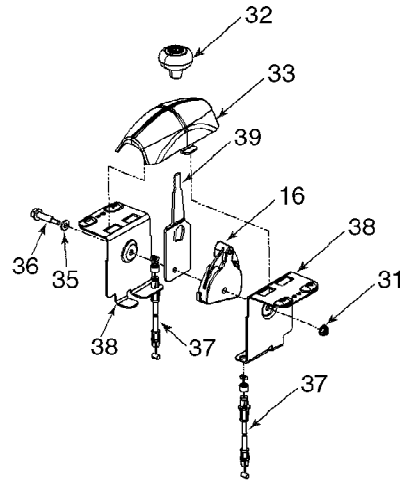


31AH5MLH590 (2006)
Chute Assembly



2 Way Chute Control



4 Way Chute Control

31AH5MLH590 (2006)
Chute Assembly

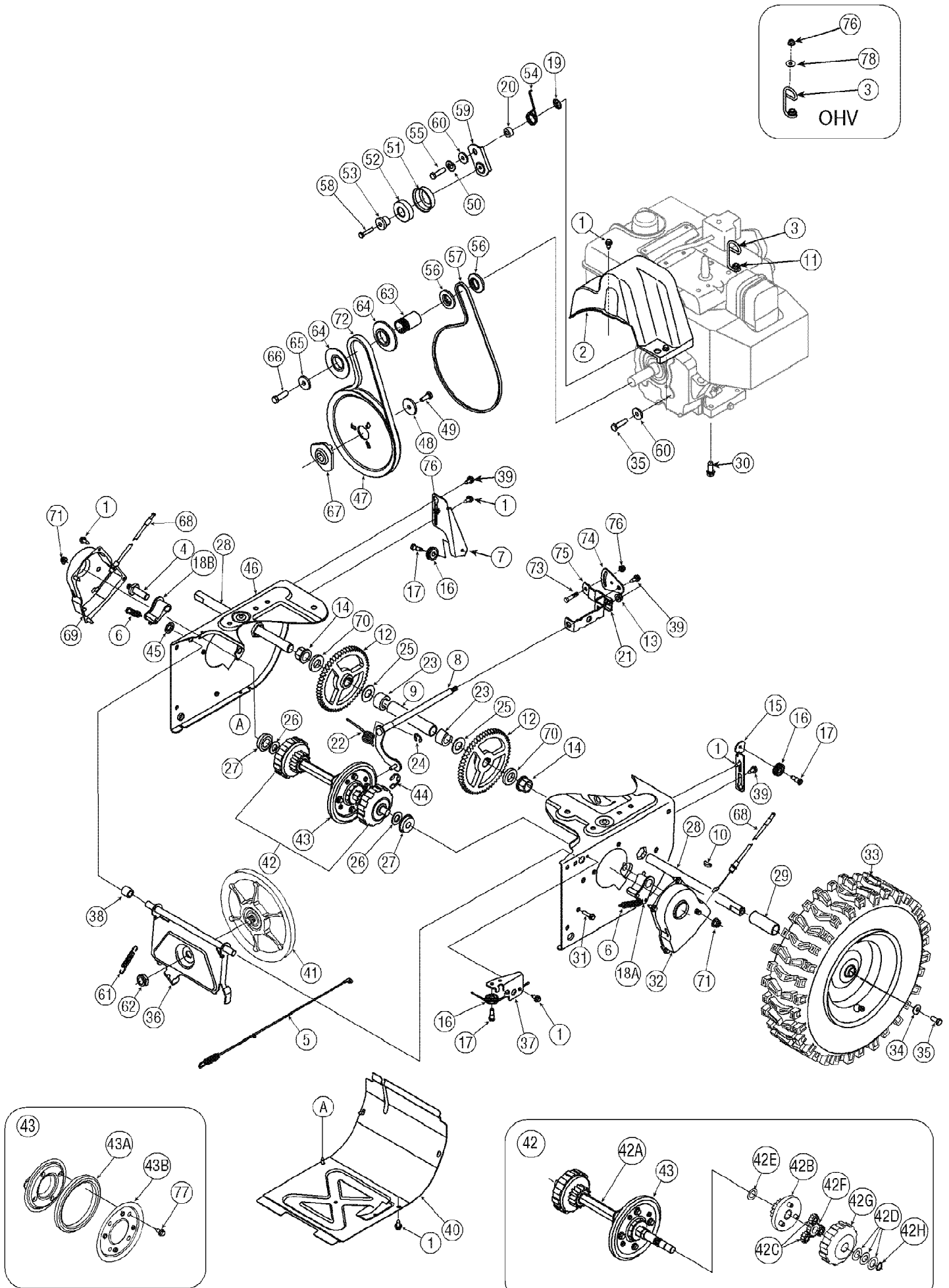
Page 2 of 14

Ref #	Part Number	Qty	S/P/F	Description
1	731-04131A	1		Lower Chute (2 Way)
2	731-04861A	1	/P	Lower Chute (4 Way)
3	684-04117A	1	S	2 Way Chute Control Assembly
4	684-04116B	1	S	4 Way Chute Control Assembly
5	710-0262	1	/P	Carriage Bolt 5/16-18 x 1.50 Gr. 2
6	710-04071	1		Carriage Screw 5/16-18 x 1.0
7	710-04187	1	/P	Hi-Lo Screw 1/4-15 x .5
8	710-0276	1	/P	Carriage Bolt 5/16-18 x 1.00" Lg
9	738-04194	1		Shoulder Screw .312 x 1.7:1/4-20
10	710-0895	1		Hex Tapp Scr 1/4 x .75" Lg.
11	711-04469A	1		Clevis Pin 3/8 x 1.87
12	714-04040	1		Bow Tie Cotter Pin
13	712-04063	1	/P	Flange Locknut 5/16-18 Gr. F Nylon
14	712-03087	1		Wing Nut 1/4-20
15	731-04425A	1	S	Upper Chute w/Export Label, Remote
16	731-1313C	1	/P	Cable Guide
17	731-04869	1	S	Chute Flange Keeper
18	738-04135	1		Shoulder Screw .25 x .50:10-24
19	741-0475	1	S	Plastic Bushing .380 ID
20	749-04155	1		Chute Support Tube
21	784-5594	1		Cable Bracket Chute Tilt
22	712-04064	1	/P	Hex L-Flanged Nut 1/4-20 Gr. F Nylon
23	784-5647	1	S	Chute Crank Brkt.
24	790-00131	1	S	Bracket: Chute Control
25	736-0159	1	S	Flat Washer .349 ID x .879 OD x .063
26	684-04162	1		Support Bracket
27	710-04187	1	/P	Hi-Lo Screw 1/4-15 x .50
28	710-0606	1	/P	Hex Hd. Cap Screw 1/4-20 x 1.5 Gr. 5
29	710-0627	1	/P	Hex Hd. Cap Screw 5/16-24 x .75
30	736-0463	1	S	Flat Washer .25 ID x .63 OD x .0515
31	712-04064	1	/P	Flange Locknut 1/4-20 Gr. F, Nylon
32	720-04039	1		Knob
33	731-05307	1		Control Cover - 2 Way
35	736-0413	1	/P	Spring Washer .390 x .625 x .012
36	738-04185	1		Flg Shlder Spacer .310 x .995 x 1/4-20
37	746-04238	1	S	Cable - 2 Way
38	790-00200	1		Mounting Bracket - 2 Way
39	790-00210	1	S	Lever - 2 Way
40	731-04889	1		Joystick Pulley
41	746-04166	1		Chute Rotation Cable
42	710-04352	1		Plastite Screw #6 x .375
43	710-04353	1		Plastite Screw #8 x 1.00
44	731-04891	1		RH Control Knob
45	731-04892	1		LH Control Knob
46	684-04115	1	S	Tube & Brkt. Lever Ass'y
47	731-04893	1		Plunger
48	731-04904	1		RH Trigger Control Knob
49	731-04905	1		LH Trigger Control Knob
50	731-04910	1		Trigger Levier
51	746-04164	1		Detent Cable
52	731-04888	1		Control Head Housing LH
53	731-04887	1		Control Head Housing RH
54	710-04353	1		Plastite

31AH5MLH590 (2006)
Chute Assembly

Ref #	Part Number	Qty	S/P/F	Description
55	731-04889	1		Joystick Pulley

31AH5MLH590 (2006)
Drive Assembly



31AH5MLH590 (2006)
Drive Assembly

Page 5 of 14

Ref #	Part Number	Qty	S/P/F	Description
1	710-1652	1	/P	Hex Wash Hd TT Scr. 1/4-20 x .625
2	731-04792A	1	/P	Belt Cover (w/4 Way Chute Control)
2	731-05353	1		Belt Cover (Std.)
3	732-0705	1		Cable Control Wire Use with OHV engine
4	711-1268B	1		Drive Shaft Actuator
5	746-04229	1		Drive Clutch Cable 44.83" Lg.
6	732-04345	1		Extension Spring .5 OD x 1.71 Lg.
7	790-00207A	1	S	Guide Bracket - Drive Cable
8	684-04156	1		Shift Rod Ass'y
9	750-04474	1		Axle Support Tube
10	714-0126	1	S	#9 HI-Pro Key 3/16 x 3/4 Dia HT
11	710-0602	1	/P	Hex Wash Hd Tapp Scr 5/16-18 x 1.00
12	717-04210	1	S	Gear, 56T
13	712-04063	1	/P	Flange Lock-Nut 5/16-18 Gr. F Nylon
14	741-0245	1	S	Hex. Flange Bearing.751" ID
15	790-00206A	1	S	Guide Bracket - Auger Cable
16	756-0625	1		Cable Guide Roller
17	738-0924A	1	/P	Hex Shld.Scr.1/4-28 x .375
18A	618-04288	1		Dogg Assembly - LH
18B	618-04287	1		Dogg Assembly - RH
19	726-04012	1	S	Push Nut
20	750-04477	1		Spacer .340 x .750 x .360" Lg.
21	790-00156	1		Shift Spacer Bracket
22	732-04311	1		Torsion Spring .750 ID x .968" Lg.
23	731-05297	1		Spacer
24	716-0104	1	S	Retaining Ring
25	736-0188	1	/P	Flat Washer .760 ID x 1.49 OD
26	736-0626	1		Flat Washer .580 x 1.125 x .080
27	741-04076	1		Ball Bearing
28	738-04180	1	S	Axle
29	731-04873	1		Spacer
30	710-0654A	1	/P	Hex Wash HD Tap Scr 3/8-16 x .88
31	710-0788	1	/P	Hex Bolt 1/4-20 x 1.00
32	790-00185	1		Shaft Retainer - LH
33	634-04136	1		Wheel Assembly 16 x 6.5 x 8 LH X-Trac
33	634-04137	1		Wheel Assembly 16 x 6.5 x 8 RH X-Trac
33	734-2031	1		Tire
33	634-04174	1		Rim
33	738-04180	1	S	Axle
34	736-0242	1	/P	Cupped Washer .345 ID x .88 OD x .060
35	710-0627	1	/P	Hex L-Bolt 5/16-24 x .75 Gr. 5
36	684-04154	1	S	Friction Wheel Support Brkt Ass'y
37	790-00096	1	S	Auger Cable Guide Bracket
38	748-0190	1	/P	Spacer .513 ID x 1.0
39	738-04184A	1		Shoulder Screw .373 x .105:TT 1/4-20
40	790-00226	1		Frame Cover
41	656-04025A	1	/P	Friction Wheel Disc Assembly
42	618-04283	1	S	Drive Shaft Assembly (w/o Friction Wheel Ass'y)
42A	711-04416	1		Hex Drive Shaft (500)
42B	618-04284	1	S	Planetary Carrier Ass'y
42C	717-1209A	1	/P	Gear 12T

31AH5MLH590 (2006)
Drive Assembly

Page 6 of 14

Ref #	Part Number	Qty	S/P/F	Description
42D	736-0502	1	S	Flat Washer .58 x 1.12 x .02
42E	736-0336	1	S	Flat Washer 5/8 ID x 1.0 OD
42F	717-1210A	1	/P	Gear 18T
42G	618-04285	1	S	Ring Planetary Gear Ass'y (500)
42H	716-0194	1	/P	Retaining Ring 1.56 diam.
43	684-04159	1		Friction Wheel Assembly
43A	735-04054	1	S	Friction Wheel Rubber
43B	790-00174	1		Friction Plate
44	716-0136	1		Retainer Ring
45	726-0221	1	/P	Cap Speed Nut 1/4 Rod
46	790-00183	1		Wheel Drive Frame
47	756-04109	1		Auger Pulley
48	736-0505	1		Flat Washer .34 x 1.50 x .150
49	710-1245B	1	/P	Hex Bolt 5/16-24 x 0.875
50	736-0119	1	S	L-Wash 5/16 ID
51	790-00230	1		Bearing Sleeve
52	741-0919	1	S	Ball Bearing 20 x 47 x 14:6204:DS
53	750-04571	1		Spacer
54	732-04308A	1	/P	Torsion Spring .850 ID x .354" Lg.
55	710-0672	1	/P	Hex HD. Cap Scr. 5/16-24 x 1.25 Lg.
56	756-04179	1	S	Pulley HalfL 1/4 V x 1.5 OD
57	754-04088	1		Belt 33.0" Lg.
58	710-0809	1		Hex Bolt 1/4-20 x 1.25
59	790-00208	1		Wheel Drive Idler Bracket
60	748-04112	1		Shoulder Spacer
61	732-0264	1	S	Extension Spring 3/8 OD x 2.50
62	712-0413	1	S	Jam L-Nut 5/8-18 Gr. 5 Nylon
63	750-04303	1		Spacer .875 ID x 1.185 OD
64	756-04113	1		Pulley Half
65	736-0247	1	/P	Flat Washer .40 ID x 1.25 OD x .160
66	710-0191	1	/P	Hex Screw 3/8-24 x 1.25
67	748-04053	1	S	PulleyAdapter
68	746-0956A	1	S	Steering Cable
69	790-00186	1		Shaft Retainer - RH
70	750-0767	1		Axle Spacer
71	712-04065	1	/P	Flange Lock-Nut 3/8-16 Gr. F Nylon
72	754-04050	1	S	Belt .5 x 35.0" Lg.
73	710-0751	1	/P	Hex Bolt 1/4-20 x .62 Gr. 5
74	790-00217A	1	S	Pivot Bracket
75	790-00218A	1	S	Shift Bracket
76	712-04064	1	/P	Flange Lock-Nut 1/4-20 Gr. F Nylon
77	710-0896	1	/P	Hex Wash. Hd. TT Scr. 1/4-14 x .625
78	736-0173	1	/P	Flat Washer .28 ID x .74 DE x .063

31AH5MLH590 (2006)
General Assembly

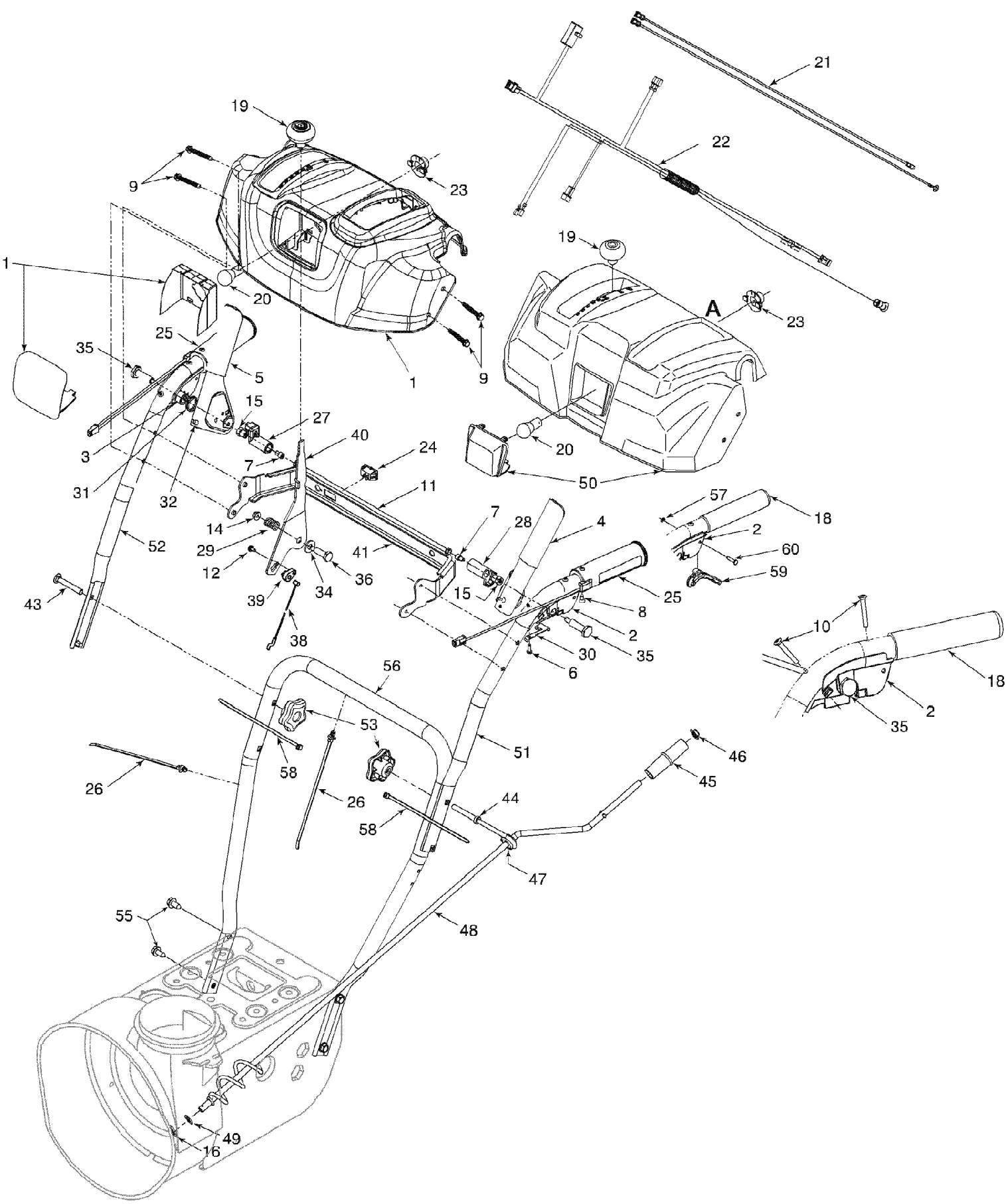
Page 8 of 14

Ref #	Part Number	Qty	S/P/F	Description
1	731-2643	1	S	Clean-Out Tool
2	684-04057	1	S	Impeller Ass'y
3	710-0347	1	/P	Hex Screw 3/8-16 x 1.75
4	710-0451	1	/P	Carriage Bolt 5/16-18 x .75 Gr. 1
5	710-0703	1	/P	Carriage Screw 1/4-20 x .75 Gr. 5
6	710-0604A	1	/P	Hex Wash HD AB Tap Scr 5/16-18 x .625
7	712-04063	1	/P	Flange Locknut 5/16-18 Gr. F Nylon
8	712-04064	1	/P	Hex L-Flanged Nut 1/4-20 Gr. F Nylon
9	712-04065	1	/P	Hex L-Flanged Nut 3/8-16 Gr. F Nylon
10	725-0157	1	/P	Cable Tie
11	731-04871	1		Spacer 1.25 x .75 x 3/16" Lg.
12	726-04012	1	S	Push-on Nut .25 dia.
13	731-04705	1	S	Chute Adapter
14	732-0611	1	S	Extension Spring
15	736-0174	1	/P	Wave Washer .660 ID x .88 OD x .010
16	731-02635	1		Cleanout Tool Mount
17	738-0143	1	/P	Shld. Scr. .500 Dia. x .335" Lg.
18	738-0281	1	S	Shoulder Scr .625 Dia x .170
20	741-0245	1	S	Hex. Flange Brg. .751" I.D.
21	741-0309	1	S	Self-aligning bearing
22	756-0981B	1	S	Flat Idler Pulley 2.75" OD
23	790-00075	1		Bearing Housing 1.85 ID
24	790-00080A	1	S	Auger Idler Brake Bracket
26	684-04063	1	S	Auger Housing
27	684-04107	1		Spiral Ass'y LH
28	684-04108	1		Spiral Ass'y RH
29	714-04040	1		Bow Tie Cotter Pin
30	731-04871	1		Spacers
31	736-0188	1	/P	Flat Washer .760 ID x 1.49 OD
32	738-04124A	1	/P	Shear Pin .25 x 1.5 Gr. 2
33	741-0493A	1	/P	Flange Bushing
34	790-00087A	1		Bushing Housing (w/o grease fitting hole)
34	790-00138A	1	S	Bushing Housing (w/grease fitting hole)
35	790-00119	1		Shave Plate
36	710-04071	1		Carriage Bolt 5/16-18 x 1.0
37	720-04072	1	S	Handle Knob Assembly
38	731-04354A	1	S	Upper Chute
39	731-04869	1	S	Chute Flange Keeper
40	731-04912A	1	S	Lower Chute
42	741-0475	1	S	Plastic Bushing .380 ID
43	784-5647	1	S	Chute Crank Brkt.
44	784-5580	1		Slide Shoe
45	719-0319	1	S	RH Reduced Auger Housing
46	719-0320	1	S	LH Reduced Auger Housing
47	721-0179	1	S	Oil Seal 3/4 ID
48	741-0662	1		Flange Bearing .75 ID x 1.00 OD x .50
49	710-0642	1	/P	Thd Forming Scr. 1/4-20 x .75
50	711-04282	1		Auger Axle
51	714-0161	1	S	Hi Pro Key 3/16 x 5/8
52	715-04021	1		Dowel Pin .25 OD x 1.2
53	717-04126	1	S	Worm Shaft .75 OD
54	717-0528A	1	S	Worm Gear 20T
55	718-04071	1		

31AH5MLH590 (2006)
General Assembly

Page 9 of 14

Ref #	Part Number	Qty	S/P/F	Description
56	721-0325	1		Plug, 1/4 x .437
57	721-0327	1		Oil Seal .75 x 1 x .131
58	736-0351	1	S	Flat Washer .76 ID x 1.5 OD x .03
59	736-3084	1	/P	Fl. Washer .510 x 1.120 x .060
60	741-0663	1		Flange Bearing .75 ID x 1.0 OD x .925
61	746-0897	1	S	Auger Clutch Cable (w/"Z" fitting)
62	741-0661A	1	/P	Flange Bearing.75 ID x 1.0 OD x .975
63	731-04870	1		Spacer 1.25 x .75 x 1.00
64	737-3000	1	S	Grease Fitting (optional)
65	790-00091	1		Reversible Slide Shoe
66	790-00181	1		Drift Cutter (optional)
67	734-0242	1		Cupped Washer .340 x 872 x .060
68	710-1260A	1	/P	Hex Wash HD AB Tap Scr 5/16-18 x .75
	618-04165	1	S	Gearbox Assembly Not Shown



31AH5MLH590 (2006)
Handle Assembly

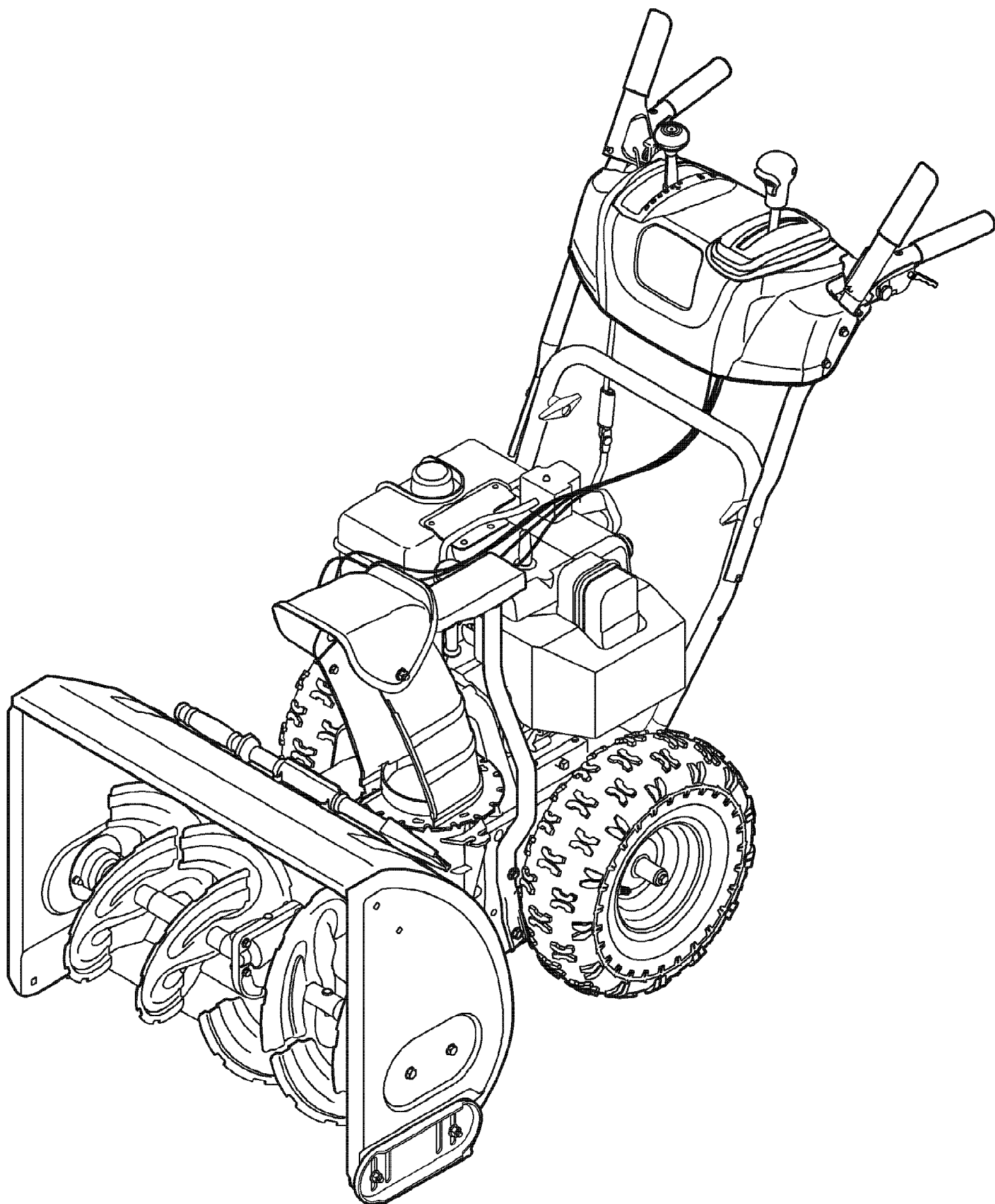
Page 11 of 14

Ref #	Part Number	Qty	S/P/F	Description
1	631-04180	1	/P	Handle Panel Ass'y - Yellow
1	631-04185	1	/P	Handle Panel Ass'y - Black
1	631-04183	1	S	Handle Panel Ass'y-Black w/Chute Control
2	631-04133	1	S	LH Clutch Lock Handle Ass'y
3	631-04134A	1	/P	RH Clutch Lock Handle Ass'y
4	684-04105A	1	S	Engagement Handle Assembly LH
5	684-04106B	1	/P	Engagement Handle Assembly RH
6	710-04326	1		Screw #8-16 x .50
7	710-04354	1	/P	Screw 1/4-20 x .375
8	710-0837	1		Oval HD C-Sunk Scr #10 x 5/8
9	710-04586	1		Hex TT-Tap Scr 1/4-20 x 1.625
10	710-1233	1	/P	Oval C-Sunk Hd Screw 10-24 x 1.375
11	711-04287	1	S	Pivot Rod
12	710-0224	1	S	Screw #10-16 x .50
14	712-04064	1	/P	Hex L-Flanged Nut 1/4-20 Gr. F Nylon
15	712-04081A	1		Hex Shoulder Nut 1/4-20
16	714-0104	1	S	Int. Cotter Pin .072 x 1.13" Lg.
18	720-0274	1	/P	Grip
19	720-04039	1		Shift Knob
19	720-04045	1		Shift Knob - Yellow
20	725-04213	1	S	Lamp #1295 (w/heated grips) with heated grips only
20	725-1629	1		Lamp
21	725-04214	1		Wire Harness
22	725-04216A	1		Heated Grip Wire Harness with heated grips only
23	725-1649	1	S	Socket
24	725-4393	1		Switch
25	725-1757	1		Heated Grip with heated grips only
26	726-0470	1		Cable Tie 19 x 8.39" (w/plug)
26	725-0157	1	/P	Cable Tie (w/heated grips) with heated grips only
27	731-04894B	1	S	Lock Plate
28	731-04896A	1	S	Clutch Lock Cam
29	732-0193	1	/P	Compression Spring .38 ID x .88 Lg
30	732-04219	1	S	Spring: Clutch Lock
31	732-04238	1		Torsion Spring .8156 x .3038
32	735-0199A	1	S	Rubber Bumper
34	736-0267	1	S	Flat Washer .38 ID x .87 OD x .09
35	738-04122	1	S	Shoulder Screw 1/4-20 x 1.345
36	738-04125	1		Shoulder Screw .374 Dia. x 1.05 Lg.
38	746-04227	1	S	Selector Speed Cable
39	746-0605	1	S	Cable Barrel Holder
40	790-00203	1	S	Shift Lever
41	790-00248	1	S	Panel Support
43	710-0449	1	S	Carriage Bolt 5/16-18 x 2.25
44	747-04263	1		Chute Crank Eye Bolt Special
45	720-0201A	1	/P	Knob 1.0 x 3.2
46	726-0100	1	S	Push Nut 3/8" Rod
47	735-0234	1		Grommet
48	684-04104	1	S	Chute Crank Assembly

31AH5MLH590 (2006)
Handle Assembly

Page 12 of 14

Ref #	Part Number	Qty	S/P/F	Description
49	736-0185	1	S	Flat Washer .406" I.D. x .75" O.D.
50	631-04181	1	S	Handle Panel Ass'y - Troy-Bilt
51	749-04142	1		Upper Handle LH
51	749-04191	1		Upper Handle LH (Heated Grips) with heated grips only
52	749-04141	1		Upper Handle RH
52	749-04190	1	S	Upper Handle RH (Heated Grips) with heated grips only
53	720-04072	1	S	Handle Knob Assembly
55	710-1260A	1	/P	Hex Wash HD Lo Tap Scr 5/16 x .75
56	749-04138	1	S	Lower Handle
57	716-04036	1		E Ring
58	725-0157	1	/P	Cable Tie
59	731-04913	1		Steering Control
60	738-04126	1		Pin 3/16



31AH5MLH590 (2006)
Quick Reference

Page 14 of 14

Ref #	Part Number	Qty	S/P/F	Description
	759-3338	1	/P	Spark Plug
	TC-35062	1	/P	Key
	N/A	1		Extension Cord
	731-2643	1	S	Snow Removal Tool
	746-04229	1		Drive Cable
	946-0897	1	/P	Auger Cable
	746-04227A	1	/P	Speed Cable
	946-0956B	1	/P	Wheel Cable
	684-04107-0650	1		Auger Assembly - LH
	684-04108-0650	1		Auger Assembly - RH
	790-00119-0637	1	/P	Shave Plate
	684-04057	1	S	Impeller Assembly
	784-5580-0637	1	/P	Slide Shoe
	790-00091-0637	1		Slide Shoe - Reversible
	738-04124A	1	/P	Shear Pin
	714-04040	1		Bow Tie Cotter Pin
	725-1629	1		Lamp
	725-04213	1	S	Lamp - Units w/ Heated Grips Only
	954-04050	1	/P	Auger Belt
	754-04088	1		Wheel Belt
	684-04159	1		Friction Wheel
	935-04054	1	/P	Friction Wheel Rubber
	634-04136-0911	1		Wheel - LH
	634-04137-0911	1		Wheel - RH